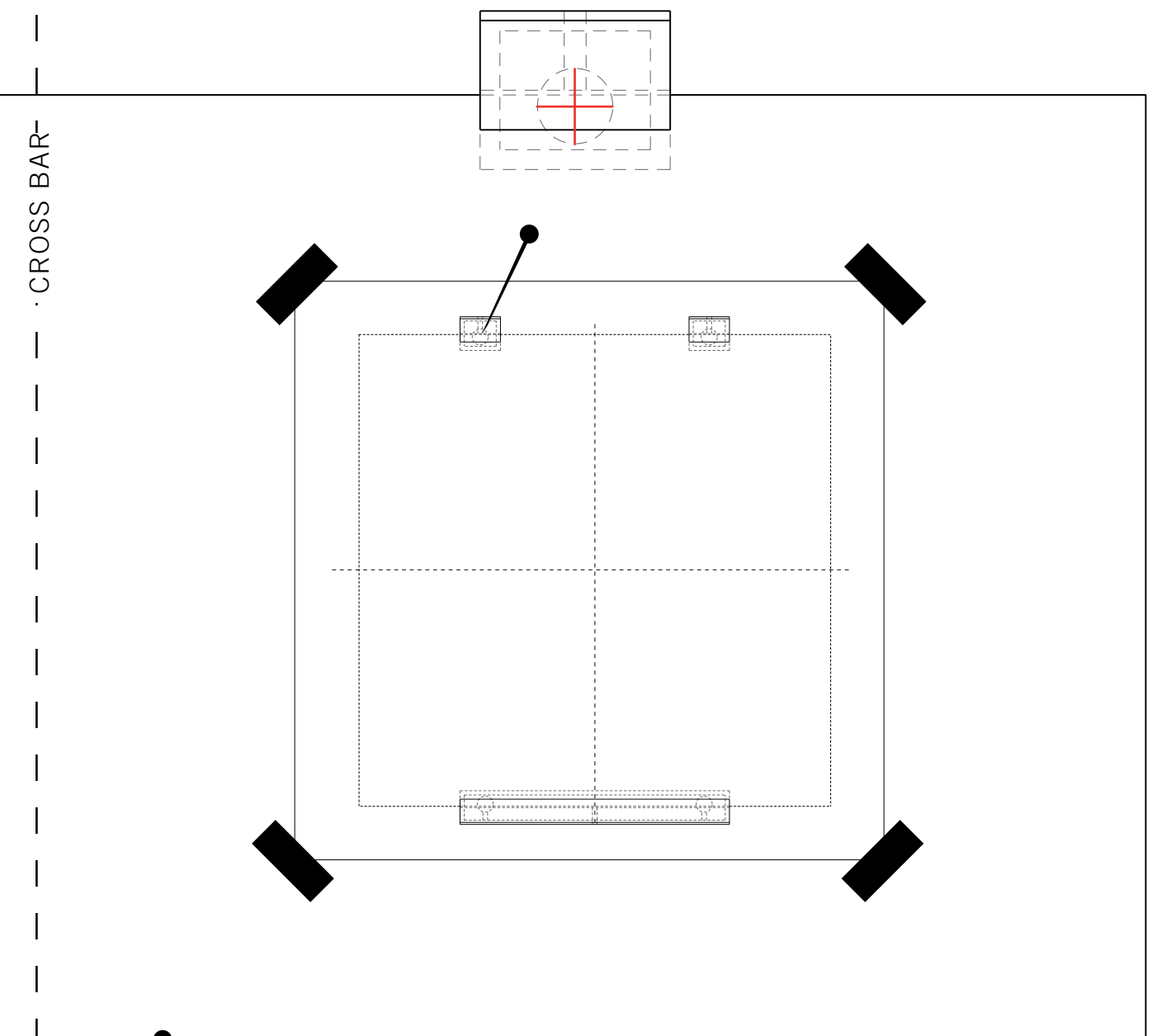
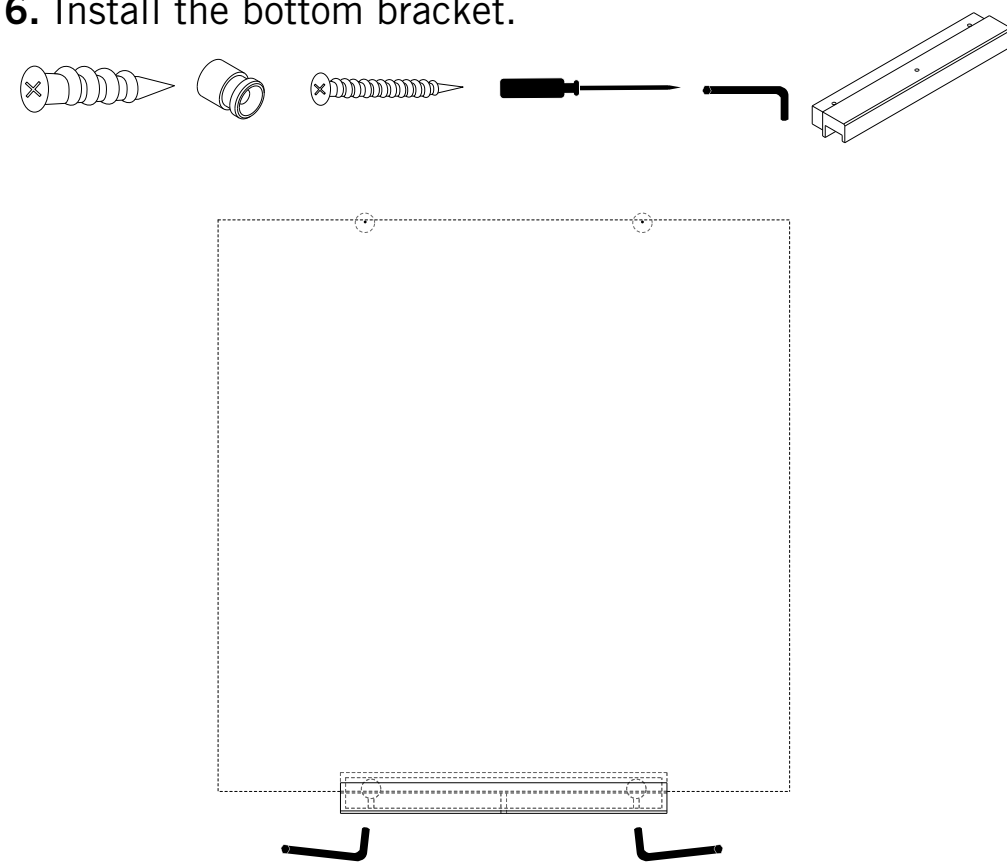


1. Tape this instruction sheet to the wall in the position in which you want to install the plaque. Use low tack painter's tape and level this sheet using the cross bars.



2. Mark screw holes with something sharp for screw positions.
3. Remove the instruction sheet.

4. Install four (4) anchors if necessary.
5. Install all four (4) studs with the supplied screws.
6. Install the bottom bracket.



7. Install glass and top brackets.
8. Tighten the set screw.

