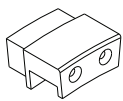
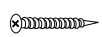


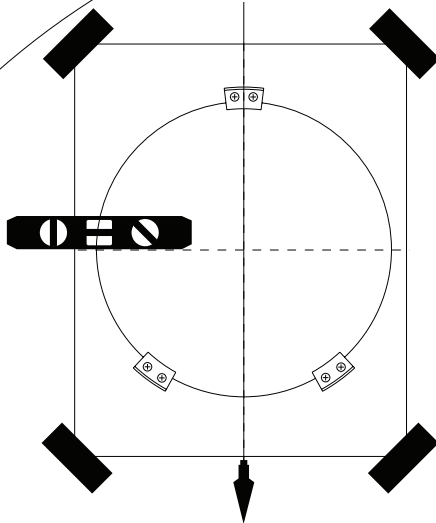
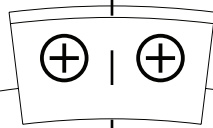
x1



x2

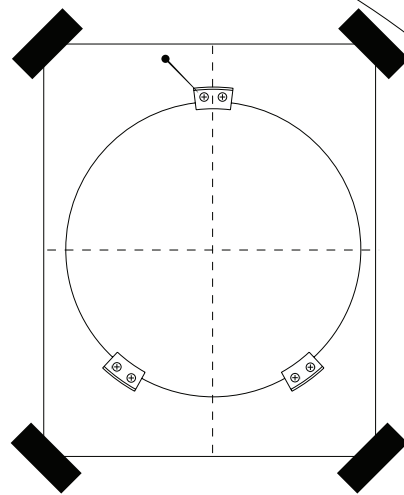


x6



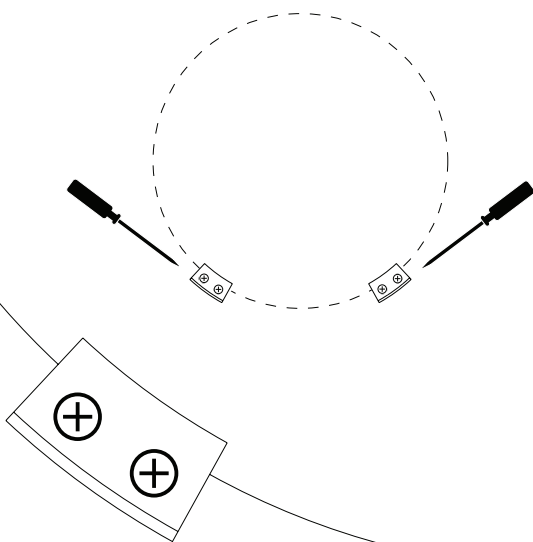
1. Tape this instruction sheet to the wall in the position in which you want to install the plaque. Use low tack painter's tape and level this sheet using the cross bars.

CROSS BAR



2. Mark screw holes with something sharp for screw positions.
3. Remove the instruction sheet.

4. Install the bottom two (2) brackets (without set screws).



CROSS BAR

5. Install glass and top bracket (with set screw).
6. Tighten the set screw.

